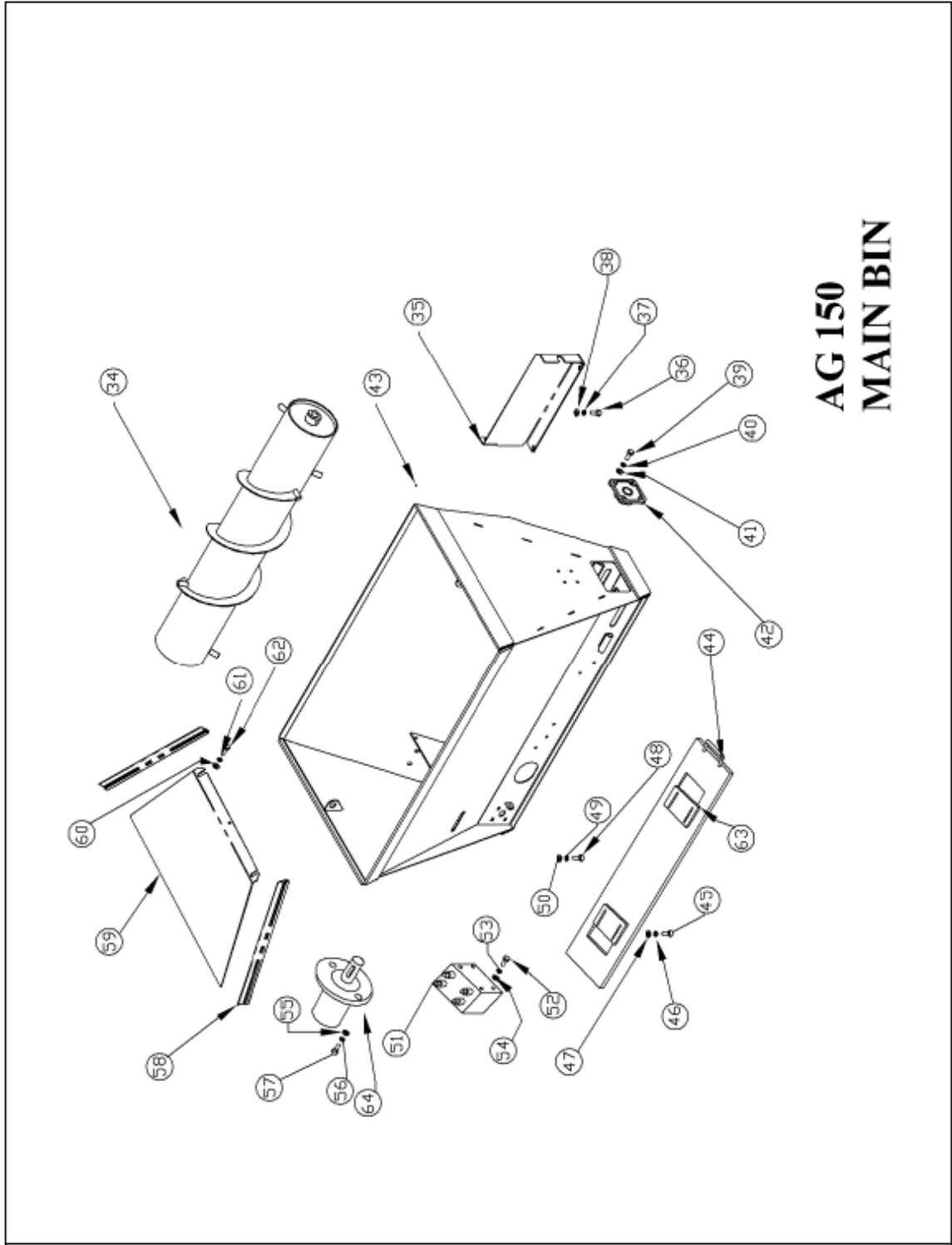


# AG 150 CONVEYOR



**AG 150  
MAIN BIN**

AG 150

|        | ITEM NO. | QUANTITY | PART NO. | DESCRIPTION                         |
|--------|----------|----------|----------|-------------------------------------|
| AG 150 | 1        | 2        | MC6-1    | Tapered bush                        |
| AG 150 | 2        | 2        | MC7-1    | Brace                               |
| AG 150 | 3        | 2        | MC7-2    | Head roller                         |
| AG 150 | 4        | 2        | MC7-3    | Idler roller                        |
| AG 150 | 5        | 1        | MC7-4    | Conveyor side front                 |
| AG 150 | 6        | 1        | MC7-5    | Conveyor side rear                  |
| AG 150 | 7        | 1        | MC7-6    | Conveyor belt                       |
| AG 150 | 8        | 2        | MC6-2    | Pulley                              |
| AG 150 | 9        | 2        | MC6-3    | Threaded tension bar                |
| AG 150 | 10       | 1        | MC6-4    | Tension plate assembly              |
| AG 150 | 11       | 2        | MC6-5    | V-belt (XPZ900 - STANDARD)          |
| AG 150 | 12       | 1        | MC6-6    | Flange bearing (Conveyor)           |
| AG 150 | 13       | 1        | MC6-7    | Flange bearing                      |
| AG 150 | 14       | 2        | MC6-8    | Hanger bearing                      |
| AG 150 | 15       | 2        | MC6-9    | M10 plain nut                       |
| AG 150 | 16       | 6        | MC6-10   | M20 plain nut                       |
| AG 150 | 17       | 3        | MC6-11   | M8 thin nyloc nut                   |
| AG 150 | 18       | 3        | MC6-12   | M10 plain washer                    |
| AG 150 | 19       | 3        | MC6-13   | M8 plain washer                     |
| AG 150 | 20       | 3        | MC6-12   | M10 plain washer                    |
| AG 150 | 21       | 16       | MC6-12   | M10 plain washer                    |
| AG 150 | 22       | 12       | MC6-14   | M10 *25 H.T Setscrew (8.8)          |
| AG 150 | 23       | 2        | MC6-15   | M10*70 H.T Setscrew (8.8)           |
| AG 150 | 24       | 3        | MC6-16   | M8 * 25 Cup Square Bolt             |
| AG 150 | 25       | 4        | MC6-17   | M10 *25 Cup Square Bolt             |
| AG 150 | 26       | 1        | MC6-18   | Hyd Motor DH 25 (Conveyor-Standard) |
| AG 150 | 27       | 1        | MC6-19   | Motor spacer                        |
| AG 150 | 28       | 4        | MC6-20   | 3/8 - 16 unc *1 CSK Skt Screw       |
| AG 150 | 29       | 2        | MC7-7    | Side skirt (large) metal clamp      |
| AG 150 | 30       | 2        | MC7-8    | Side skirt (small) metal clamp      |
| AG 150 | 31       | 12       | MC6-21   | M8 * 40 bolt                        |
| AG 150 | 32       | 12       | MC6-13   | M8 plain washer                     |
| AG 150 | 33       | 12       | MC6-23   | M8 Nyloc nut                        |
| AG 150 | 34       | 1        | MC7-9    | Auger                               |
| AG 150 | 35       | 1        | MC7-10   | V-belt guard                        |
| AG 150 | 36       | 2        | MC6-24   | M8 * 20 bolt                        |
| AG 150 | 37       | 3        | MC6-13   | M8 plain washer                     |
| AG 150 | 38       | 2        | MC6-25   | M8 spring washer                    |
| AG 150 | 39       | 4        | MC6-26   | M10 *35 bolt                        |
| AG 150 | 40       | 4        | MC6-12   | M10 plain washer                    |
| AG 150 | 41       | 10       | MC6-27   | M10 nyloc nut                       |
| AG 150 | 42       | 1        | MC6-28   | Flange bearing (Auger)              |
| AG 150 | 43       | 1        | MC7-11   | Main bin                            |
| AG 150 | 44       | 1        | MC7-12   | Aperture plate                      |
| AG 150 | 45       | 4        | MC6-29   | M8 * 30 Cup Square Bolt             |
| AG 150 | 46       | 8        | MC6-22   | M8 plain washer                     |
| AG 150 | 47       | 8        | MC6-23   | M8 nyloc nut                        |
| AG 150 | 48       | 4        | MC6-14   | M10 *25 H.T Setscrew (8.8)          |
| AG 150 | 49       | 4        | MC6-12   | M10 Washer                          |
| AG 150 | 50       | 4        | MC6-27   | M10 nyloc nut                       |
| AG 150 | 51       | 1        | MC6-36   | Valve block                         |
| AG 150 | 52       | 4        | MC6-31   | M8 x 130 mm Cap Bolt                |
| AG 150 | 53       | 4        | MC6-22   | M8 plain washer                     |
| AG 150 | 54       | 4        | MC6-23   | M8 Nyloc nut                        |
| AG 150 | 55       | 2        | MC6-27   | M10 nyloc nut                       |
| AG 150 | 56       | 2        | MC6-12   | M10 plain washer                    |
| AG 150 | 57       | 2        | MC6-14   | M10 *25 H.T Setscrew (8.8)          |
| AG 150 | 58       | 2        | MC7-12   | Auger Motor cover seal              |
| AG 150 | 59       | 1        | MC7-13   | Auger Motor cover                   |
| AG 150 | 60       | 2        | MC6-32   | M10 spring washer                   |
| AG 150 | 61       | 2        | MC6-12   | M10 plain washer                    |
| AG 150 | 62       | 2        | MC6-14   | M10 *25 H.T Setscrew (8.8)          |
| AG 150 | 63       | 2        | MC7-14   | Adjustable plate                    |
| AG 150 | 64       | 1        | MC6-33   | Hydraulic motor Auger OMR390        |
| AG 150 | 65       | 2        | MC7-15   | Rubber side skirt                   |
| AG 150 |          | 2        | MC6-37   | Middle range pulley ratio (140-60)  |
| AG 150 |          | 2        | MC6-38   | Highest range pulley ratio (140-60) |